



# POLEKS MAKİNA SAN.VE TİC.AŞ

2.Organize San. Bol. Yaylacik Cad. Işiktepe Sk. No:21  
Konya / TURKEY

[www.poleks.com.tr](http://www.poleks.com.tr) [poleks@poleks.com.tr](mailto:poleks@poleks.com.tr)

Tel: +90 332 239 00 11 Fax: +90 332 239 02 59





**POLEKS MAKİNA SAN. VE TİC.AŞ.**

2.Organize San. Bol. Yaylacik Cad. İşiktepe Sk. No:21 Konya / TURKEY

[www.poleks.com.tr](http://www.poleks.com.tr) [poleks@poleks.com.tr](mailto:poleks@poleks.com.tr)

Tel: +90 332 239 00 11 Fax: +90 332 239 02 59

- *Cast-iron body*
- *(CBN diamond & Segmental Wheel) cutting technology.*
- *Transmission head, up and down movements with speed adjustable*
- *Electronic speed adjustable spindle rotation motor,*
- *Electronic Motor speed adjustable table(X axis)*
- *Slides automatic lubrication system(Z,X axis)*
- *Grinding wheel rotation Speed adjustable*
- *Speed adjustable table for surface grinding process*
- *Wheel dressing device fixed on grinding head(angle device)*
- *Sliding cover system(CE standards)*
- *Transmission down and up movements with ball screw and automatic lubrication*
- *Table slides 'Linear Guides ' with automatic lubrication system(X,Z axis)*
- *Time setting Automatic Lubrication System for all slides and ball screws(Z,X axis)*
- *4 Tons table weight load capacity*
- *Electric panel inside lighting lamp*
- *Movable control panel*





## POLEKS MAKİNA SAN. VE TİC.AŞ.

2.Organize San. Bol. Yaylacik Cad. İşiktepe Sk. No:21 Konya / TURKEY

www.poleks.com.tr poleks@poleks.com.tr

Tel: +90 332 239 00 11 Fax: +90 332 239 02 59



<b>Technical Specifications</b>		<b>YT 1800</b>
Machine table surface	Mm	1700x320
Max. Grinding length(-X axis)	Mm	1800
Max. Grinding width(-Y axis)	Mm	400
Distance between column guides and table center	Mm	450
Max.Distance from wheel to table surface	Mm	900
Max/Min. Table speed (-X axis)	m/min	0-8000
Manual feed movement (-Z axis)	Mm	0.01
Segmental grinding wheel diameter(max)	Mm	400
Grinding wheel rotation speed	Rpm	1-4000
Electric system	V	380-24
Stroke motor (Z)	Kw	0.37
Table motor(X)	Kw	2
Spindle motor	Kw	5.5
Cooling unit pump motor	Kw	0.37
Work length of machine	Mm	4820
Length of machine	Mm	3020
Width of machine	Mm	1400
Height of machine	Mm	2250
Weight of machine	Kg	2850



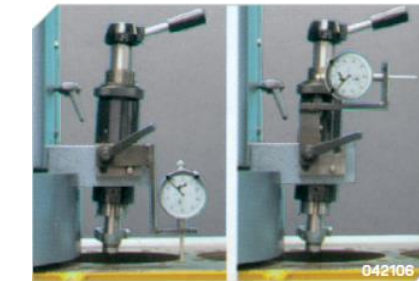
# POLEKS MAKİNA SAN. VE TİC.AŞ.

2.Organize San. Bol. Yaylacik Cad. İşiktepe Sk. No:21 Konya / TURKEY

www.poleks.com.tr poleks@poleks.com.tr

Tel: +90 332 239 00 11 Fax: +90 332 239 02 59

Serî No	Standard   Extra Equipments	YT 1800	
		ST	EX
042100	Wheel flange and segmental grinding wheels	1	
042101	Surface milling apparatus	1	
042102	Grinding wheel balancing apparatus and shaft	1	
042103	Wheel Disassembly Stips	1	
042104	Work lighting lamp	1	
042105	Lazer surface roughness indicator	1	
042106	(Fixed)Segmental wheel dressing apparatus	1	
042107	Set of two parallel blocks h. 100x535 mm	1	
042108	Work Clamping plates	4	
042109	Speed adjustable electronic handwheel(portable)	1	
042110	Water Cooling tank with fabric filter	1	
042111	Automatic lubrication system	1	
042112	Tool box (Kit)	1	
042113	Electro Magnetic Table		5.180 €
042114	Work signal Light '3 different stages'		230 €
042115	Digital axis indicator(X,Z axis)		2.180 €
042119	Wheel flat surface approaching led light		680 €
042116	Angle cylinder head connetcing apparatus		2.910 €
042121	Tool Holder (for Cbn/Pcd)		290 €
042120	Circular multiple surface milling head		2980 €
042117	Fixed micrometer holder apparatus	1	



pasö verme ve taş bileme aparatı  
'recision incremental in feed  
nd wheel grinding apparatus

Taş tarama aparatı ve pasö saati (saat ekstra)  
Wheel dresser and feed indicator (dial gauge extra)



042107

Paralel ayaklar  
Parallels supports



042102

Balans aparatı  
Grinding wheel  
balancing shaft



Taşlama diski  
Surface grinding disk.



042103

Yüzey tarama aparatı  
Surface milling apparatus.



042112

Manyetik tabla (ekstra)  
Magnetic table (extra)

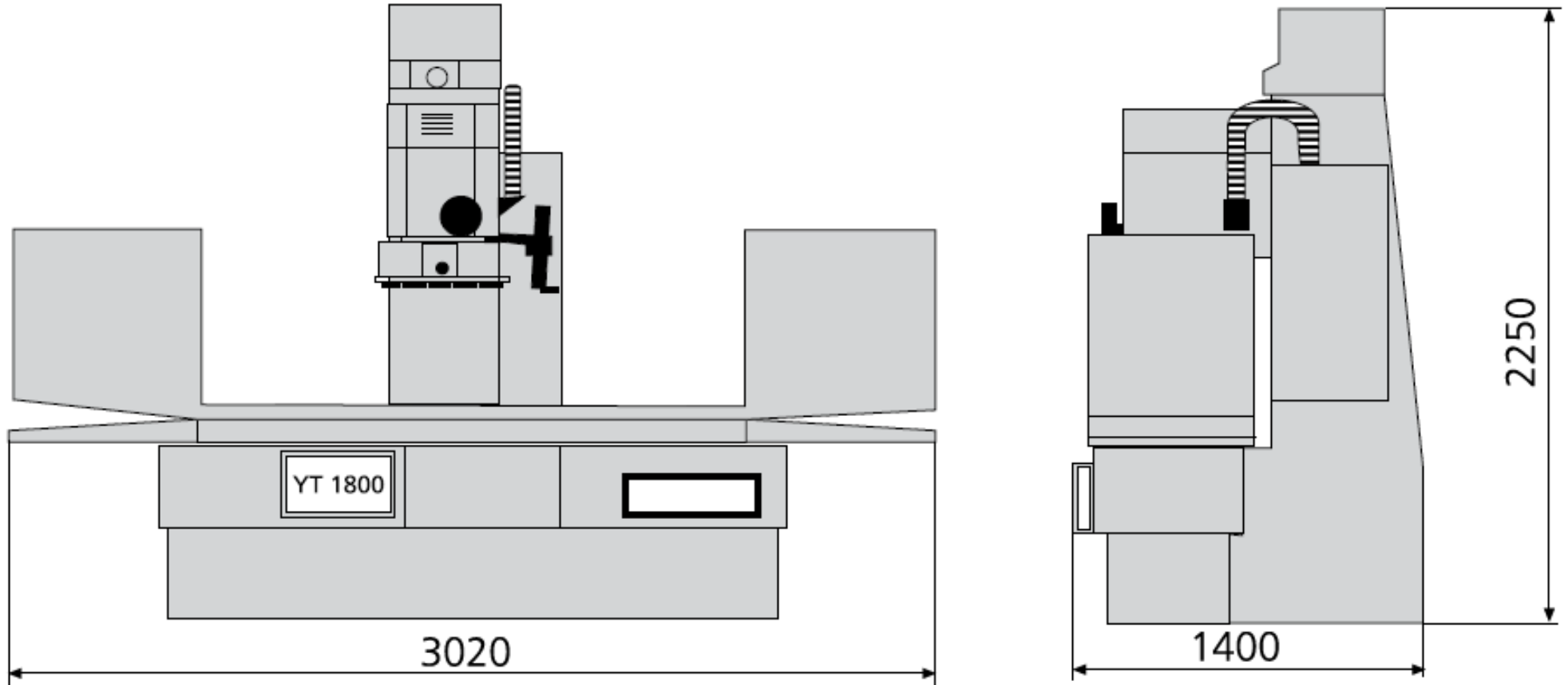


# POLEKS MAKİNA SAN. VE TİC.AŞ.

2.Organize San. Bol. Yaylacik Cad. İşiktepe Sk. No:21 Konya / TURKEY

[www.poleks.com.tr](http://www.poleks.com.tr) [poleks@poleks.com.tr](mailto:poleks@poleks.com.tr)

Tel: +90 332 239 00 11 Fax: +90 332 239 02 59



GTİP No: 8460.19.00.00.00